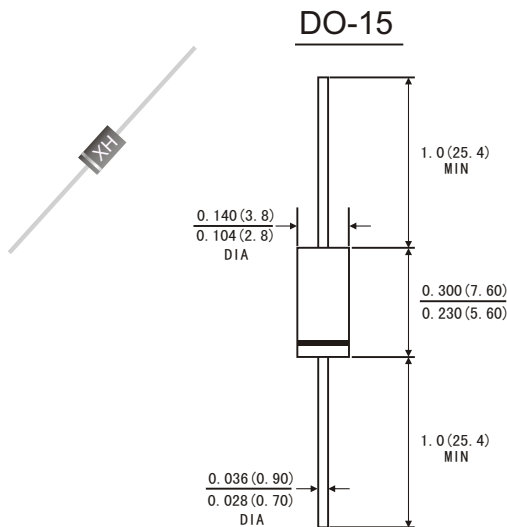


FEATURES

- The plastic package has Underwrites Laboratory Flammability Classification 94V-0
- Construction utilizes void-free molded plastic technique
- High surge current capability
- 2.0A operation at $T_L=75^{\circ}\text{C}$ with no thermal runaway
- Low reverse leakage
- High temperature soldering guaranteed: $260^{\circ}\text{C}/10$ seconds, $0.375''(9.5\text{mm})$ lead length, 5lbs. (2.3kg) tension
- Component in accordance to RoHs 2002/95/EC and WEEE 2002/96/EC

MECHANICAL DATA

- *Case:* TEDEC DO-15 molded plastic body
- *Terminals:* Lead solderable per MIL-STD-750, method 2026
- *Polarity:* Color band denotes cathode end
- *Mounting Position:* Any
- *Weight:* 0.014ounce, 0.39 gram



Dimensions in inches and (millimeters)

MAXIMUM RATINGS AND ELECTRICAL CHARACTERISTICS

(Ratings at 25°C ambient temperature unless otherwise specified ,Single phase ,half wave 60Hz.,resistive or inductive load. For capacitive load, derate by 20%.)

	Symbols	RL 201	RL 202	RL 203	RL 204	RL 205	RL 206	RL 207	Units
Maximum Recurrent Peak Reverse Voltage	V_{RRM}	50	100	300	400	600	800	1000	Volts
Maximum RMS Voltage	V_{RMS}	35	70	140	280	420	560	700	Volts
Maximum DC Blocking Voltage	V_{DC}	50	100	300	400	600	800	1000	Volts
Maximum average Forward Rectified Current $0.375''(9.5\text{mm})$ lead length at $T_A=75^{\circ}\text{C}$	$I_{(AV)}$	2.0							Amps
Peak Forward Surge Current (8.3ms half sine-wave superimposed on rated load (JEDEC method)	I_{FSM}	70.0							Amps
Maximum Instantaneous Forward Voltage at 2.0 A	V_F	1.1							Volts
Maximum Reverse current at rated DC Blocking Voltage	I_R	$T_A = 25^{\circ}\text{C}$							μA
		$T_A = 100^{\circ}\text{C}$							
Typical Thermal Resistance (Note 2)	$R_{\theta JA}$	40.0							$^{\circ}\text{C}/\text{W}$
Typical Junction Capacitance(Note 1)	C_J	20.0							pF
Operating and Storage Temperature Range	T_J	-65 to+175							$^{\circ}\text{C}$
	T_{STG}								

Note: 1. Measured at 1MHz and applied reverse voltage of 4.0V DC.

2. Thermal resistance from junction to ambient and from junction to lead at $0.375''(9.5\text{mm})$ lead length , P.C.B. mounted

FIG.1-FORWARD CURRENT DERATING CURVE

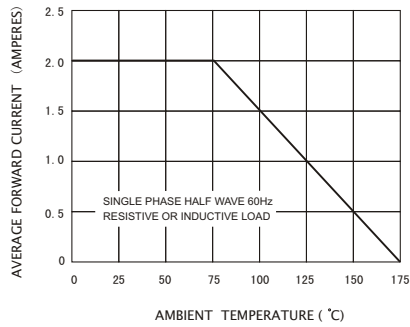


FIG.2-TYPICAL INSTANTANEOUS FORWARD CHARACTERISTICS

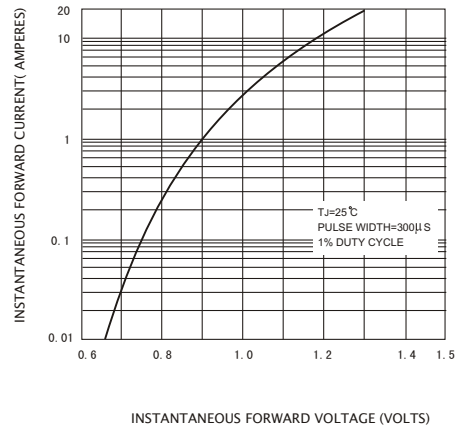


FIG.3-MAXIMUM NON-REPETITIVE PEAK FORWARD SURGE CURRENT

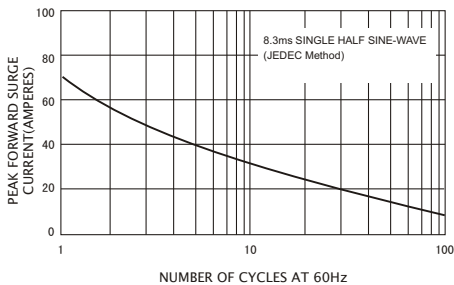


FIG.4-TYPICAL REVERSE CHARACTERISTICS

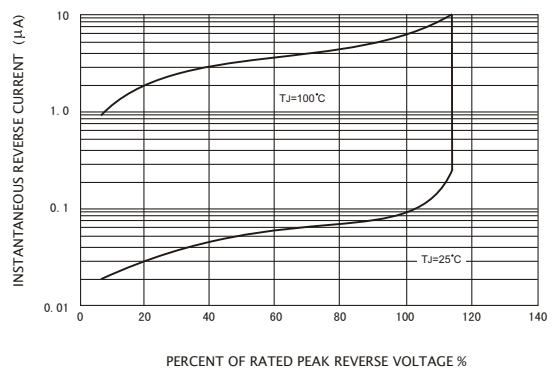


FIG.5-TYPICAL JUNCTION CAPACITANCE

